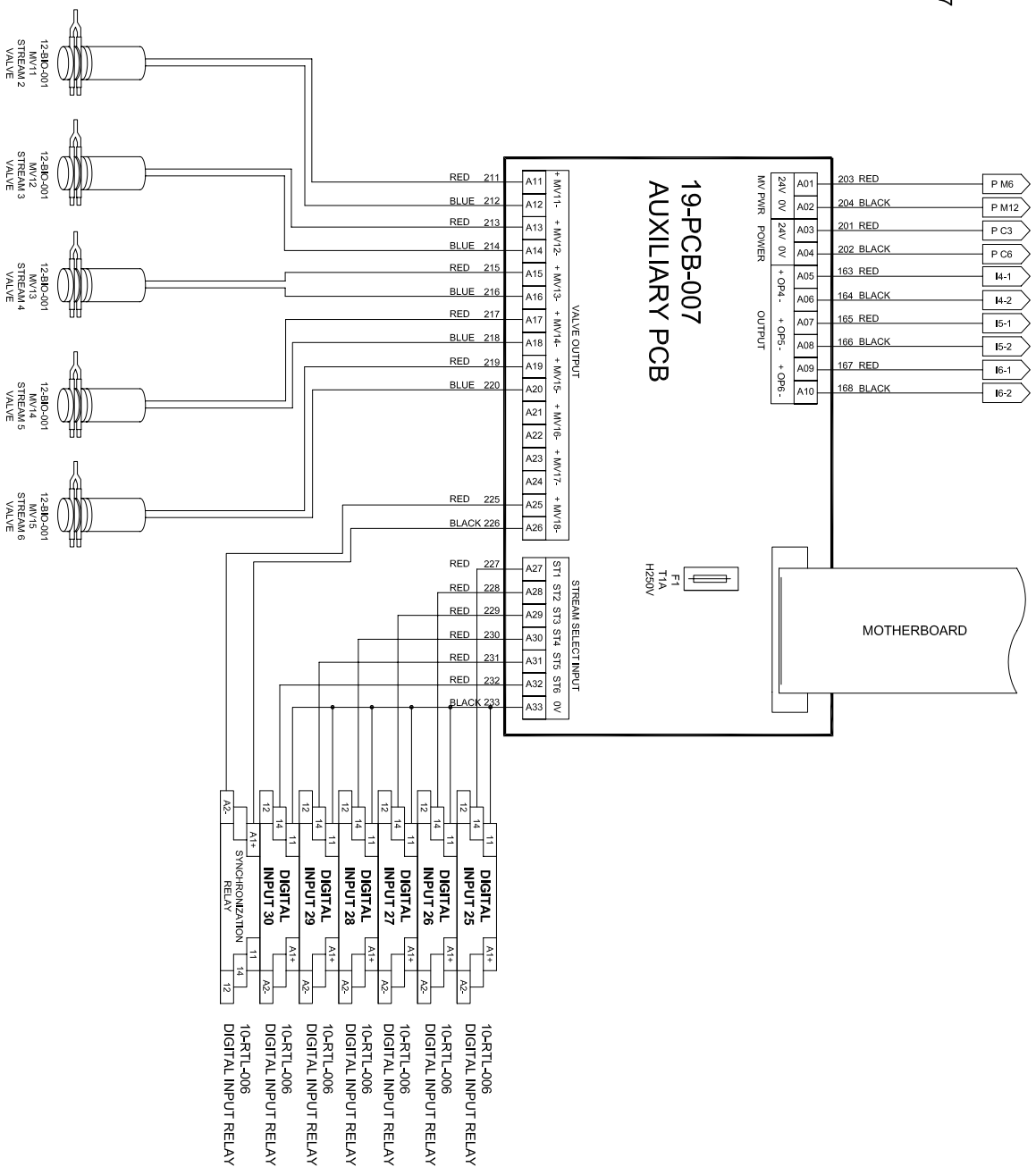


NOTE:
P TERMINAL - POWER DISTRIBUTION, DWG NO 811041061
R TERMINAL - RELAY PCB, DWG NO 811041062
S TERMINAL - SIGNAL PCB, DWG NO 811041063
Z TERMINAL - OZONE PCB, DWG NO 811041064
A TERMINAL - AUXILIARY PCB, DWG NO 811041065
I TERMINAL - 4-20mA OUTPUTS, DWG NO 811041066
M TERMINAL - MOTHERBOARD PCB, DWG NO 811041067
N TERMINAL - TN TP I/O PCB, DWG NO 811041068



REV. DATE

X1 AutoCad drawing no. 811041070 23/08/12

PROJECT: BIOTECTOR SERIES 4 MIXER REACTOR

DWG. TITLE: Auxiliary PCB Wiring

DWG. NO: 811041065

SCALE: N.T.S.

DATE: 23.08.2012

DR.BY: MP

CHKD.BY: SOM

VERSION: X1

