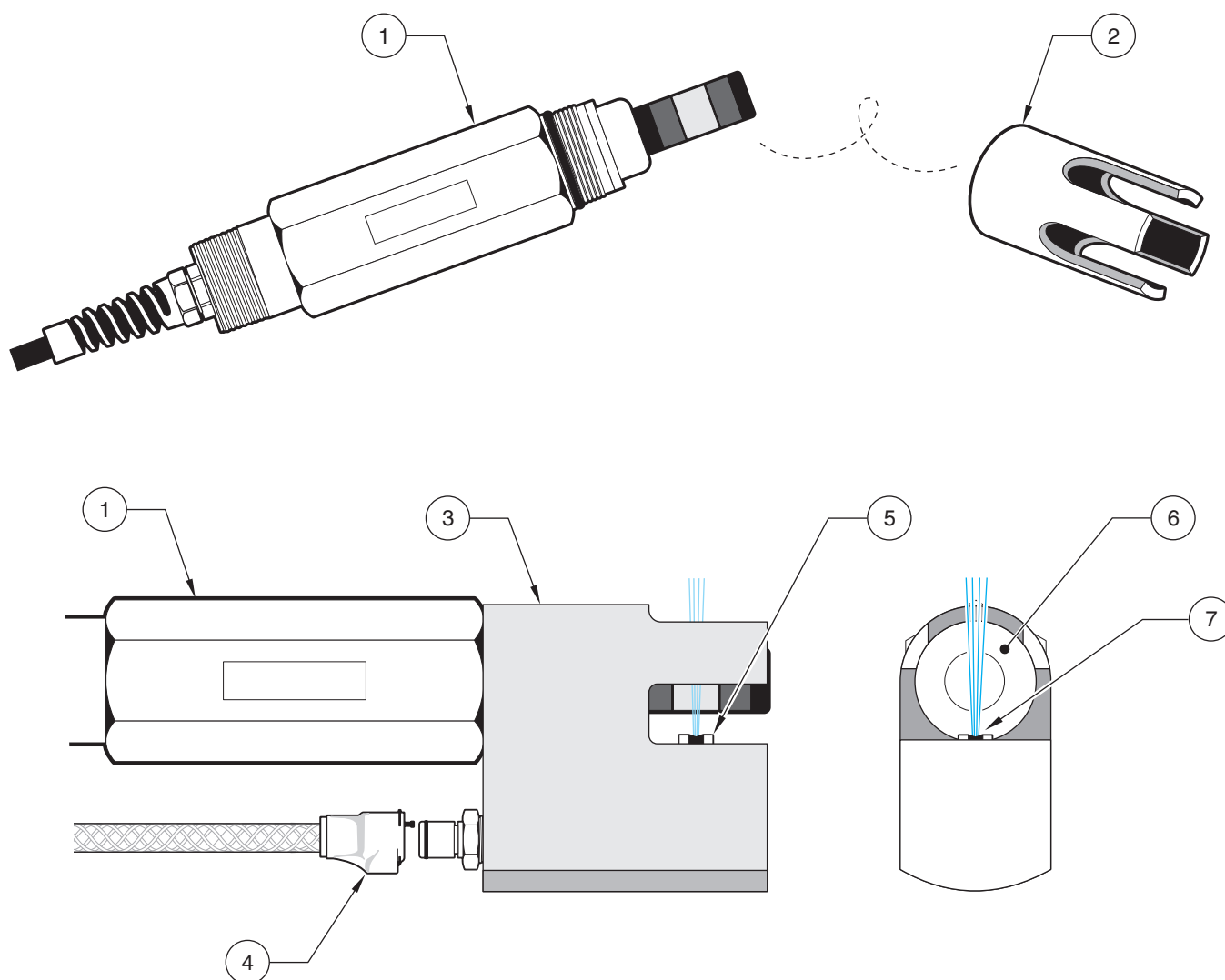


# Instruction Sheet

## Digital DO Membrane Sensor Air Blast Head Assembly

1. Remove the protective guard from the probe and thread the air blast head assembly on as shown in [Figure 1](#).
2. Connect the quick-connect fitting on the air hose (customer-supplied) to the mating connector on the head assembly by pressing the two pieces together until the connector snaps into place (detail 4 in [Figure 1](#)). Tug gently to check the connection.

**Figure 1 Attaching the Head Assembly**



1. Probe	5. Air Blast correctly positioned
2. Protective guard	6. Sensor end of the probe
3. Air Blast head assembly (Cat. No. 61305-00)	7. Air Blast detail
4. Air Hose assembly (Cat. No. 57974-00)	



**FOR TECHNICAL ASSISTANCE, PRICE INFORMATION AND ORDERING:**

In the U.S.A. – Call toll-free 800-227-4224

Outside the U.S.A. – Contact the HACH office or distributor serving you.

On the Worldwide Web – [www.hach.com](http://www.hach.com); E-mail – [techhelp@hach.com](mailto:techhelp@hach.com)

**HACH COMPANY**  
WORLD HEADQUARTERS  
Telephone: (970) 669-3050  
FAX: (970) 669-2932

---