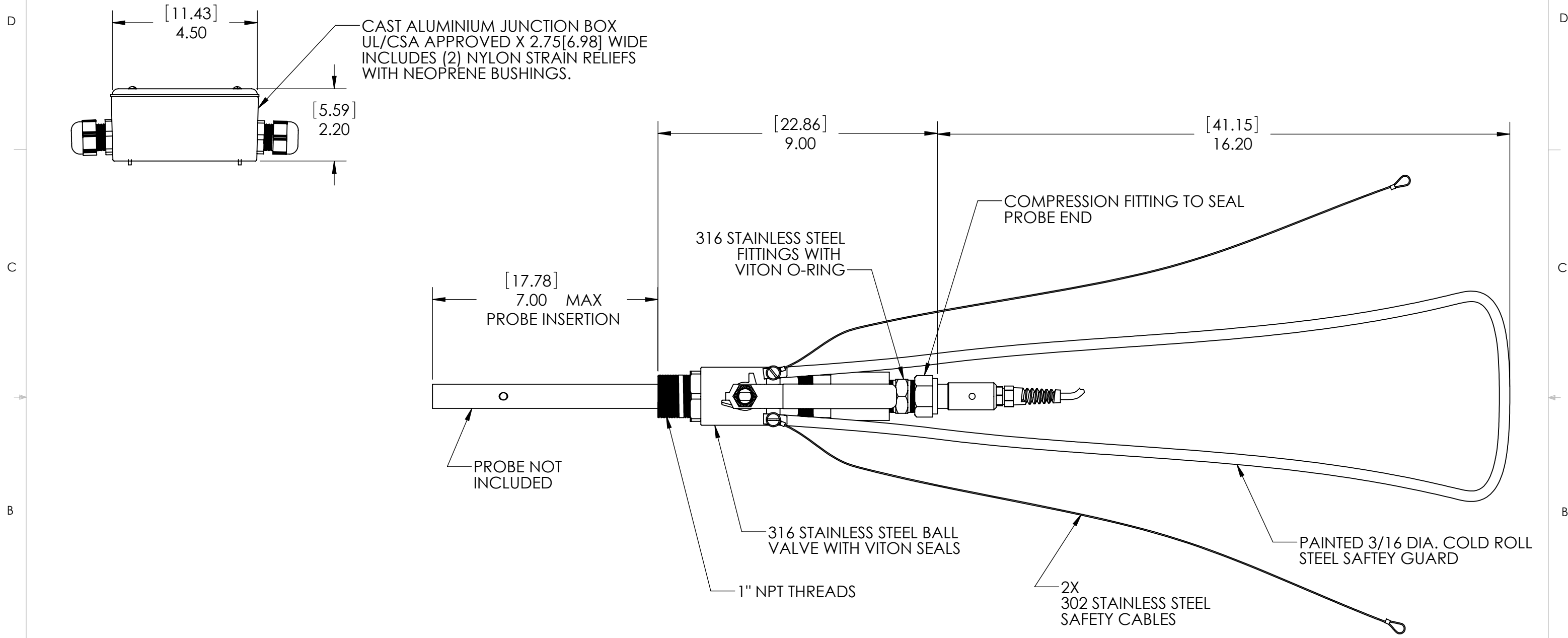

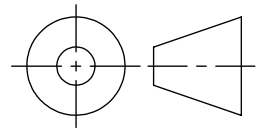


NOTES:
DIMENSIONS ARE IN INCHES [CENTIMETERS].

REVISION		
REV	DESCRIPTION	APPROVED
A	Production Release	John Scaffidi



NOTICE--HACH COMPANY CLAIMS PROPRIETARY RIGHTS IN THE INFORMATION DISCLOSED ON THIS DRAWING. IT IS ISSUED IN CONFIDENCE FOR ENGINEERING INFORMATION ONLY AND MAY NOT, IN WHOLE OR IN PART, BE USED TO MANUFACTURE ANYTHING, WHETHER OR NOT SHOWN HEREON, REPRODUCED OR DISCLOSED TO ANYONE WITHOUT DIRECT PERMISSION FROM HACH COMPANY.

MATERIAL	UNLESS OTHERWISE SPECIFIED: DIMENSIONS ARE IN INCHES TOLERANCES: .X = ± .XX = ± .XXX = ± ANGLES = ± INTERPRET GEOMETRIC TOLERANCING PER: ANSI Y14.5M 1994	NAME	DATE	 HACH COMPANY 5600 LINDBERGH DR. LOVELAND, CO. 80539
		DRAWN	TCS	
		ENGINEER	KBS	TITLE: TRANSMITTAL, COND. INSERTION, 1" NPT
		THIRD ANGLE PROJECTION		
				SIZE B DWG. NO. MH114M3C87 REV A
	DO NOT SCALE DRAWING	SCALE: 1:3 WEIGHT:		SHEET 1 OF 1